

MCP – Mini Control Panel

Overview:

The **Mini Control Panel (MCP)** serves as a remote mount control panel for any of the *WATERAX* vehicle mounted pumps. The **MCP** features a left-to-right launch sequence that makes field operation of a vehicle mount system easy to master and swift to execute. The panel quickly and easily connects to the pump electrically through an 8-pin FastWire connector. The *WATERAX* FastWire system provides all the necessary components for a simple plug and play installation. This document outlines the proper installation method, the replacement parts and the operations of the **MCP**.

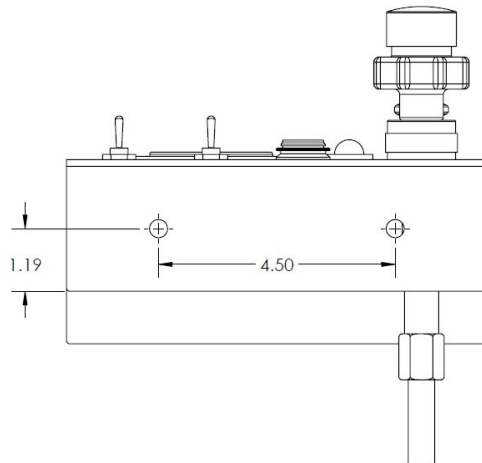
Kit Components:

The **MCP** comes equipped with a panel power toggle switch, low pressure protection override switch, engine push button start, push/pull engine choke and Vernier throttle. The MCP's display includes a 0 to 600 PSI/0 to 4000 kPa pressure gauge and a low oil alert LED.



Installation:

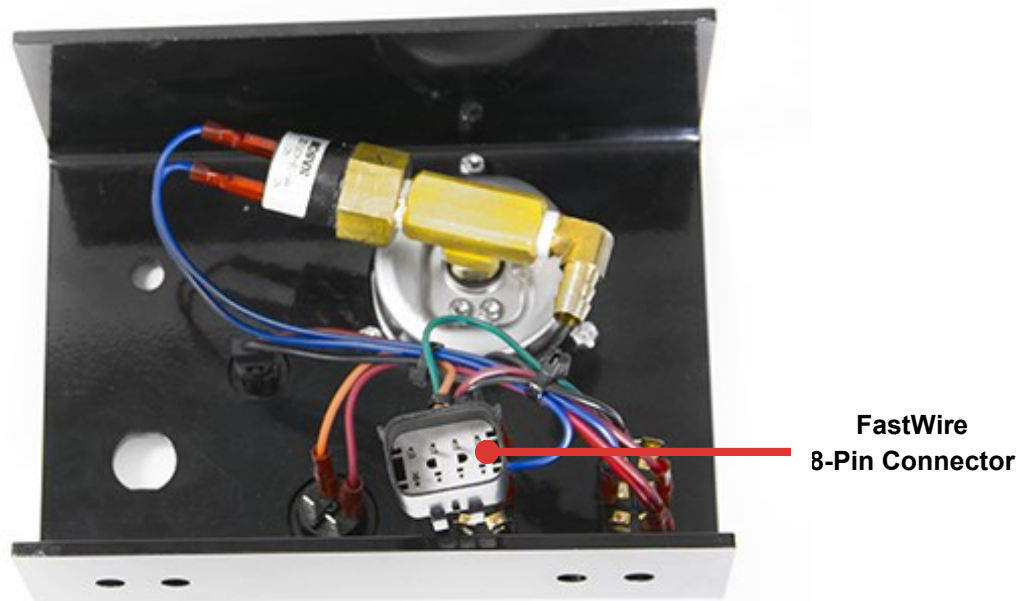
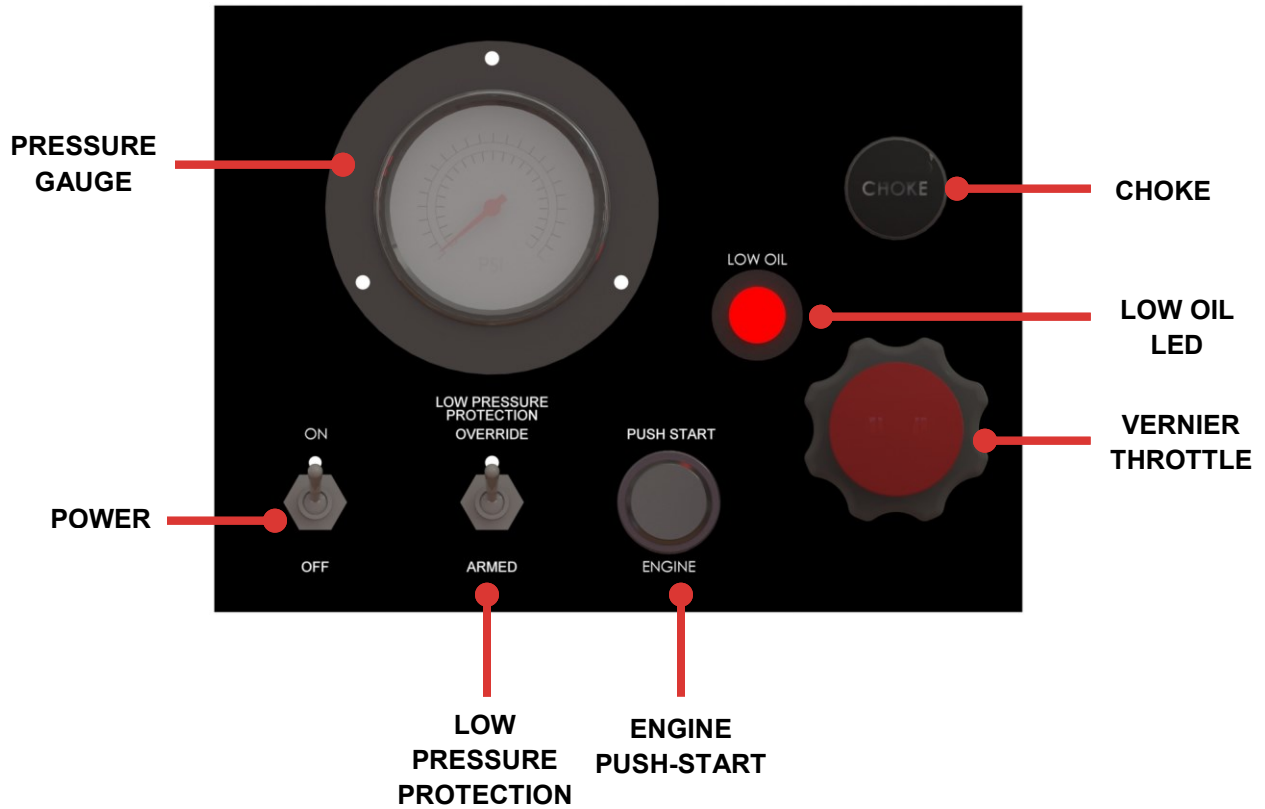
The **MCP** comes with two 5/16" clearance holes. You can use 5/16 or M8 Screws to mount your **MCP**.



USER INSTRUCTIONS

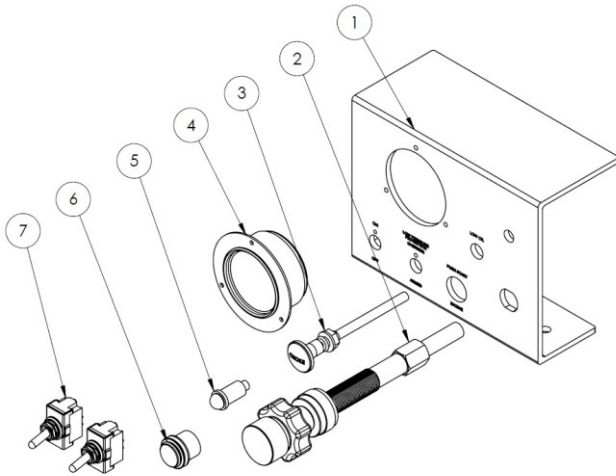
Controls & Harness:

Below are images of the MCP, illustrating its components and controls.



USER INSTRUCTIONS

Parts Breakdown:



ID	ITEM NO	DESCRIPTION	QTY
1	700200	A-7686 MINI CONTROL PANEL FRAME	1
2	800673	PART-454 VERNIER THROTTLE CABLE (3100)	1
3	800745	PART-356 CHOKE CABLE	1
4	700034	PART-402 2-1/2" PRESSURE GAUGE 600PSI	1
5	800926	PART-455 RED LED INDICATOR 12V, .500"H	1
6	800924	PART-472 PUSH BUTTON DPST 4P,(ON)-OFF	1
7	800914	PART-378 SWITCH TOGGLE DPDT 20A ON-ON	2
--	800941	PART-422 LOCK RING 15/32" FOR TOGGLE SW	2
--	800942	PART-423 LOCK NUT 15/32" FOR TOGGLE SW	2
--	800372	FAST-557 SCREW #6-32X1/2 PHILLIPS PAN SS	3
--	800373	FAST-558 NUT #6-32 HEX NYLON LOCK SS	3
--	800890	PART-526 LOW PRESSURE CUTOUT SWITCH 7PSI	1
--	700775	A-7720 BRACKET VERNIER THROTTLE CABLE	1

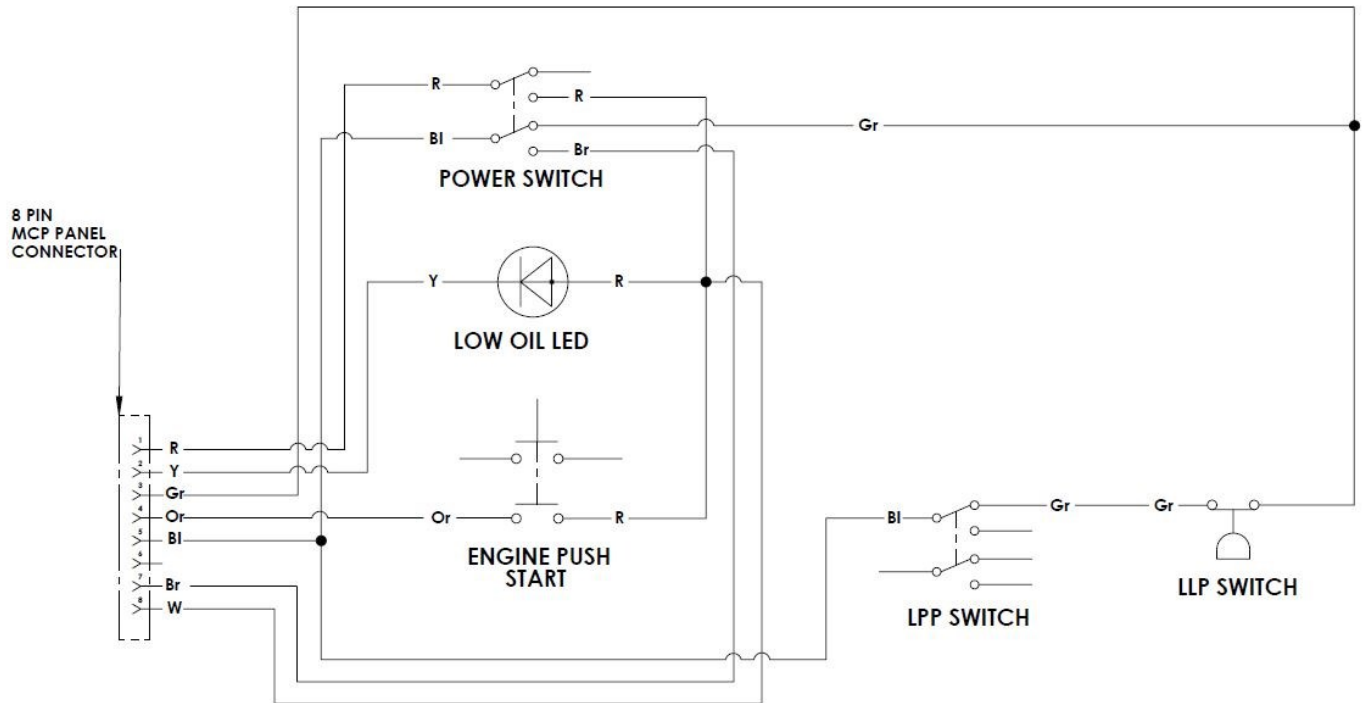
Operation:

The following control panel operational steps are performed after the pump has been primed and power has been made available to the panel:

1. Turn on the Power switch.
2. Move the Low Pressure Protection switch to the "OVERRIDE" position.
3. Push the Engine Push-Start button (if engine is cold, pull on the choke knob while pressing the start button).
4. Engine should start and pressure should build in the discharge line. If pressure gauge does not show any positive pressure, pump may not be fully primed (re-prime).
5. Once started, push shut the choke control (if used) and adjust the engine throttle and discharge valve until the desired pump performance is obtained
6. Move the Low Pressure Protection switch to the "ARMED" position.

USER INSTRUCTIONS

Wiring Schematic:



The following schematic is to represent the wiring harness going from the MCP to the pump unit.

Warranty, Service and Support:

Product and service documentation such as tech notes, data sheets, manuals and information on the limited warranty provided on products manufactured by *WATERAX* can be found on our Web site at: www.waterax.com.

WATERAX Inc.

6635 Henri-Bourassa Blvd. W.
 Montreal, QC, H4R 1E1
 Tel.: (855) 616-1818
 (514) 637-1818
 Fax: (514) 637-3985
 E-mail: info@waterax.com

Copyright © 2015 *WATERAX* Inc. Publication Number: 700949, Rev.6 All rights reserved. Printed in Canada.