

VERSAX® VS2-9

SELF-PRIMING PUMP

Seal Kit Retrofit for VERSAX® VS2-9 (701531)

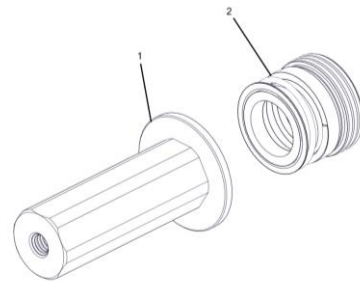
Overview:

Continual product improvements are a significant part of our commitment to our products here at **WATERAX**. In so keeping with this tradition, improvements have been made to the VERSAX® VS2-9 to significantly improve the pump seals resistance to leakage and to extend the service life of the mechanical seal in the unit.

We have made improvements both to the pump shaft and the mechanical seal. The seal no longer seals on the engine shaft. It will seal on the pump stub shaft. The pump stub shaft has also been upgraded to unitary stainless steel design. The new shaft and the new seal design runs truer; significantly reducing the possibility of contaminants getting between the seal faces causing the seal to leak while also extending the service life of the seal. This retrofit kit allows for any pumps currently in the field to be upgraded at any time.

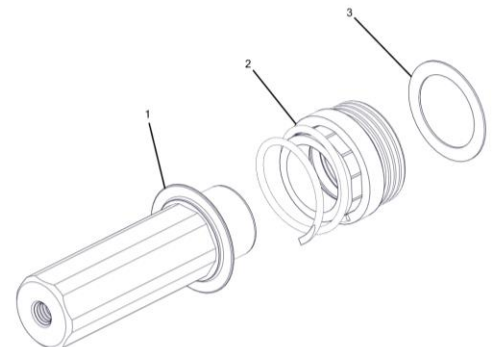
PREVIOUS SHAFT AND SEAL COMPONENTS:

ID	ITEM NO	DESCRIPTION	QTY
1	800193	VSC136 STUB SHAFT 1" VERSAX®	1
2	800200	VSC137 SEAL – MECHANICAL 1" VERSAX®	1



NEW IMPROVED COMPONENTS:

ID	ITEM NO	DESCRIPTION	QTY
1	701524	STUB SHAFT MODIFIED 1-1/8" VERSAX®	1
2	701522	ROTARY SEAL 1-1/8" VERSAX®	1
3	701523	WASHER SEAT SUPPORT VERSAX® SS	1

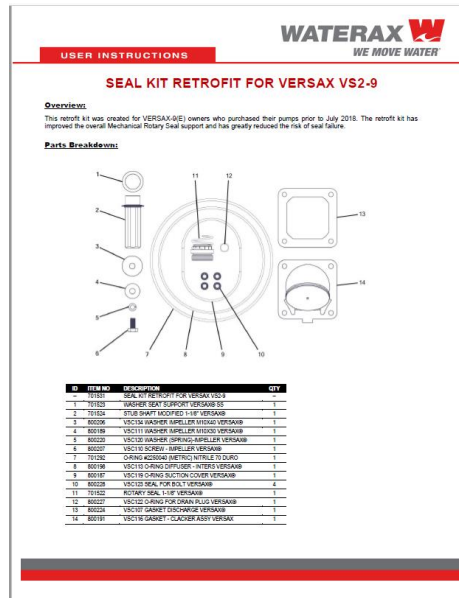


It is important to note that the seal kit part number 801304 has been modified removing the old mechanical seal and replacing it with the new mechanical seal and the support washer. Therefore, if the pump has not been upgraded with the new unitary stainless-steel shaft and seal, this seal kit retrofit should be purchased instead of the standard seal kit.

TECH-NOTE

Installation:

The kit contains all parts needed when servicing a pump seal. User instructions are also provided in the kit to aid in the installation. The installer will find the installation process to be very similar to the current process.



Benefits:

- Greater resistance against pump seal leakages.
- Increased pump seal service life.
- Improved corrosion resistant unitary shaft.
- Mechanical seal seals on pump shaft not engine shaft.