

MARK-3[®]

SERIES

185cc Ignition Systems & Spare Parts

Point ignition magneto cup – Stock depletion

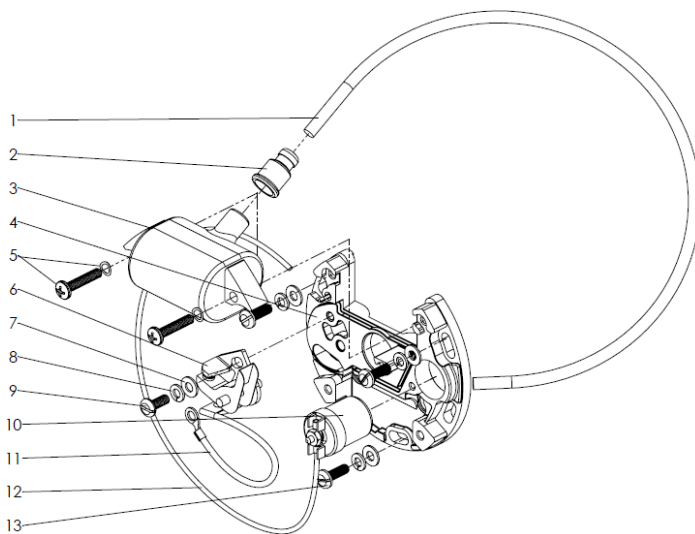
This is an official notice to advise all MARK-3 customers that the stock of point ignition magneto cup has been **depleted**. With the tooling obsolete since **2003**, this **magneto cup will no longer be supported**.

All other components pertaining to the point ignition system (coil, condenser, breaker point, armature plate complete) are available and will **continue to be offered** by WATERAX.



POINT IGNITION MAGNETO CUP : **OBSELETE**

Available Point Ignition Spare Parts

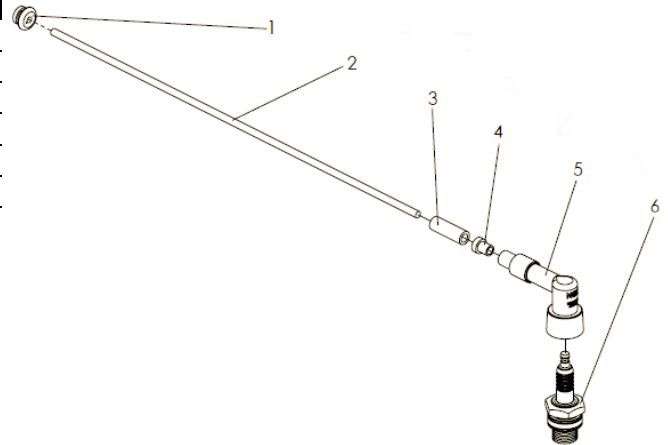


ID	ITEM NO	DESCRIPTION	QTY
-	800124	R-656 ARMATURE PLATE COMPLETE	-
1	800108	R-630 IGNITION CABLE 5MM 365MM LG	1
2	800116	R-654 CAP	1
3	800085	R-661 COIL ONLY (POINTED ENGINE)	1
4	800122	R-659 ARMATURE PLATE (W/ FELT WIPER)	1
5	800497	R-655 SCREW M4X0.7X20 PHILLIPS W/ WASHER	2
6	800079	R-664 POINT WITH CABLE CONDENSOR	1
7	800551	R-637 WASHER M4 FLAT ZINC	4
8	800540	R-611 LOCKWASHER M4 SPLIT ZINC	4
9	800494	R-665 SCREW M4-0.7X10 SLOT PAN	1
10	600527	R-662 CONDENSER	1
11	800109*	R-628 CONDENSER CABLE	1
12	800105	R-634 CABLE 16.5"LG, STOP SWITCH	1
13	800110	R-638 MACH. SCREW, PAN SLOTTED	3

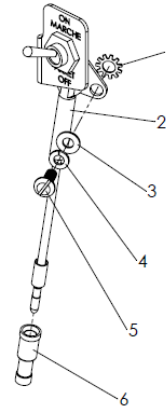
* 800109 is included in item 800079

TECH-NOTE

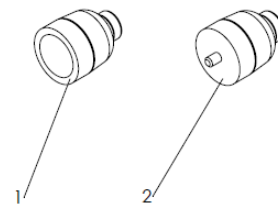
ID	ITEM NO	DESCRIPTION	QTY
1	800074	R-636 GROMMET	-
2	800108	R-630 IGNITION CABLE 5MM 365MM LG	-
3	800111	R-645 RUBBER SLEEVE 30MM	-
4	800114	R-650A PROTECTOR	-
5	800121	R-650 PROTECTOR, SPARK PLUG	-
6	800850	R-629 SPARK PLUG 18 MM	-



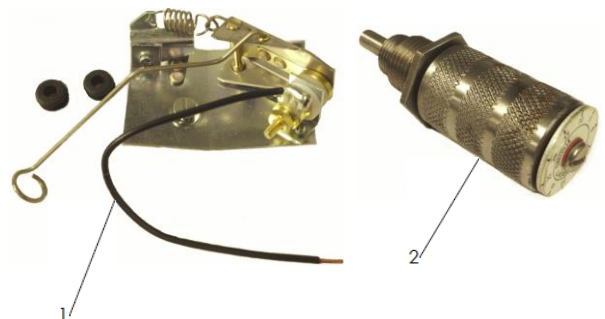
ID	ITEM NO	DESCRIPTION	QTY
-	600530	R-633T STOP SWITCH KIT, TOGGLE TYPE	-
1	800352	12-79 LOCKWASHER #10 EXTERNAL TOOTH	1
2	600066	C-7010-12 STOP-SWITCH AND BRACKET ASSY	1
3	800551	R-637 WASHER M4 FLAT ZINC	1
4	800540	R-611 LOCKWASHER M4 SPLIT ZINC	1
5	800494	R-665 SCREW M4-0.7X10 SLOT PAN	1
6	800983	C-7010-12C CONNECTOR BULLET FEM 16-14	1



ID	ITEM NO	DESCRIPTION	QTY
1	800112	R-646 RUBBER SWITCH COVER	-
2	800107	R-633 STOP SWITCH, W/RUBBER COVER	-



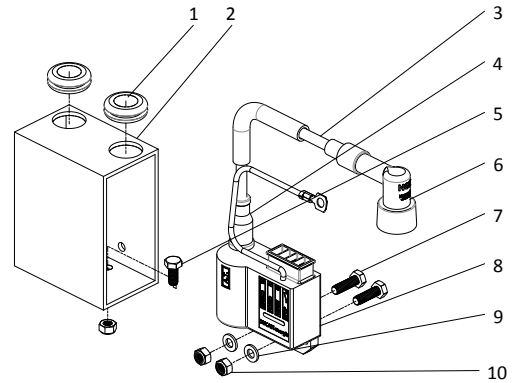
ID	ITEM NO	DESCRIPTION	QTY
1	600115	B-6288 CUTOUT SWITCH, MARK-3	-
2	600171	R-954-14 TIMING GAUGE 14/18 MM	-



TECH-NOTE

CDI/DOS Ignition Spare Parts

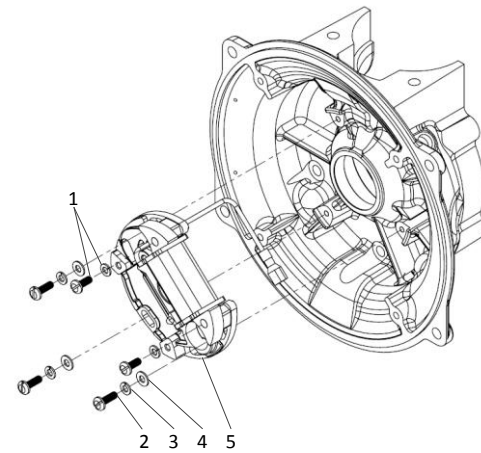
ID	ITEM NO	DESCRIPTION	QTY
-	600125	B-7592 ELECTRONIC IGNITION BOX ASSY	-
1	800685	D-2902-9 GROMMET	2
2	700757	A-7589 MOUNTING BLOCK/ELECT. IGNITION	1
3	800039	R-274 IGNITION CABLE 500MM	1
4	800056	R-275 PROTECTION CAP	1
5	800529	FAST-18 HEX CAP SCREW M6 X 1 X 14MM LG	2
6	800121	R-650 PROTECTOR, SPARK PLUG	1
7	800526	FAST-20 HEX CAP SCREW M6 X 1 X 20MM LG	2
8	800057	R-273 ELECTRONIC BOX F/IGNITION	1
9	800549	FAST-510 FLAT WASHER M6, ZINC PLATED	2
10	800544	R-150 NUT M6X1.0 HEX FUJI LOCK ZINC	4



ID	ITEM NO	DESCRIPTION	QTY
1	800497*	R-655 SCREW M4X0.7X20 PHILLIPS W/ WASHER	2
2	800110	R-638 MACH. SCREW, PAN SLOTTED	3
3	800540	R-611 LOCKWASHER M4 SPLIT ZINC	3
4	800551	R-637 WASHER M4 FLAT ZINC	3
5	800073	R-661-CDI STATOR, COIL/ARMATURE ASSEMBLY	1

* Included in R-661 CDI STATOR (800073)

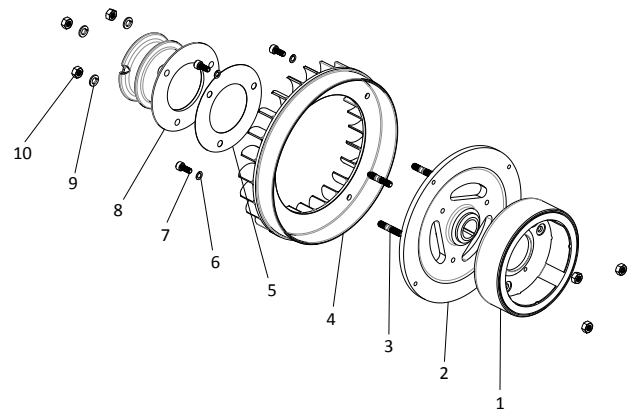
Note: R-636 Grommet (800074) not shown.



ID	ITEM NO	DESCRIPTION	QTY
1	701109*	R-668E MAGNETO CDI FOR 185CC	1
2	600534*	R-669 MAGNETO HOUSING 185CC W/ KEYWAY	1
3	800123*	R-602 STUD M6 X 1.0 X 31 MM LG	3
4	701110*	R-603N COMPOSITE FAN FOR 185CC	1
5	800102	R-653 PULLEY GASKET	1
6	801163*†	LOCKWASHER M5 TEETH SERRATED ZINC	4
7	800058*	R-146 ALLEN SCREW M5X12	4
8	800130	R-601 PULLEY FOR MANUAL START	1
9	801107	LOCKWASHER M6 SPLIT BOWED ZINC DICH.	3
10	800045*	R-116 HEX NUT M6X 1.0	6

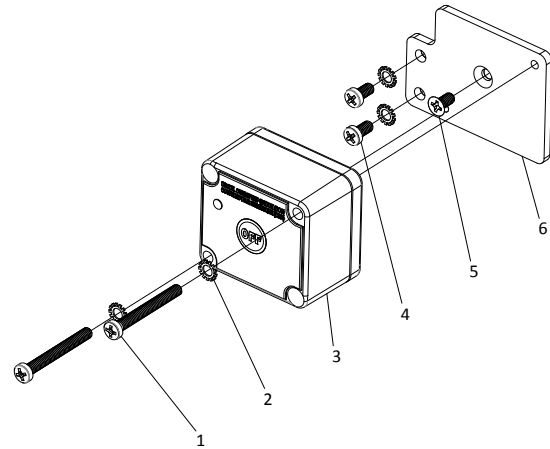
* Included in R-667N-ES Flywheel/Magneto/Fan Assy CDI (600535)

† For aluminum fan, use R-523 lockwasher M5 split (800553)



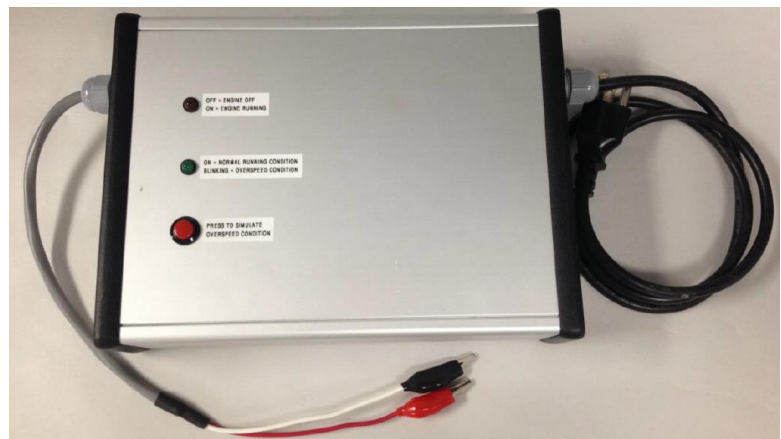
TECH-NOTE

ID	ITEM NO	DESCRIPTION	QTY
1	800443	B-6289-3 SCREW M4X0.7X35 PHILLIPS CHEESE	2
2	800400	B-6289-6 LOCKWASHER M4 EXTERNAL TOOTH	4
3	700593	B-6289-1 DOS PRODUCTION UNIT	1
4	800402	B-6289-4 SCREW M4X0.7X8 PHILLIPS CHEESE ZINC	2
5	800413	B-6289-5 SCREW M4X0.7X8 PHILLIPS FLAT ZINC	1
6	700616	B-6289-2 DOS MK-3 BRACKET	1



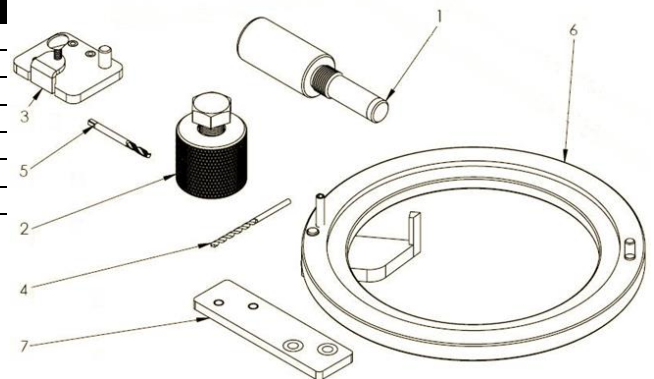
DOS Testing Module

The troubleshooting of the DOS can be done while the MARK-3 is in operation or by using the DTM DOS Testing Module (700773).



Tools

ID	ITEM NO	DESCRIPTION	QTY
1	701159	PISTON LOCKING TOOL FOR 185CC	1
2	700723	R-927 PULLER - MAGNETO (M38 X 1.5)	1
3	701158	JIG FOR DOS BRACKET DRILLING	1
4	801117	DRILL BIT #30 HIGH SPEED STEEL 2-3/4"LG	1
5	801118	TAP M4X.7 D4 SPRIAL POINT PLUG HIGH SPEED	1
6	801146	CDI IGNITION TIMING ADJUSTMENT TOOL	1
7	801162	DIS - FRAME DRILLING TOOL	1

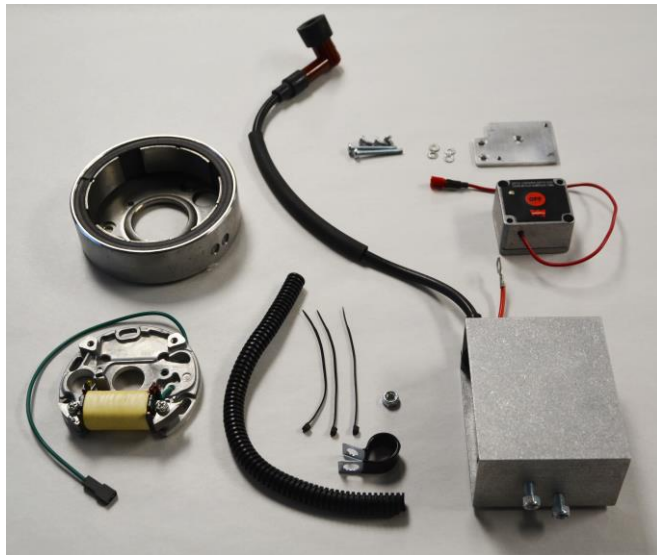


TECH-NOTE

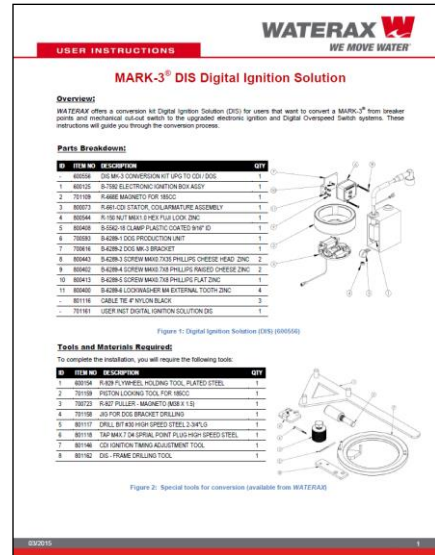
Digital Ignition Solution (DIS) upgrade

To upgrade to the latest MARK-3 technology and benefit from the CDI ignition and Digital Overspeed Switch (DOS), a CDI ignition magneto cup must be installed. The magneto cup is included in the Digital Ignition Solution MARK-3 Conversion Kit (600556).

For additional information on the DIS kit and installation instructions, please consult the related Tech Note and User Instructions which are available online.



DIS MARK-3 Conversion Kit (600556)



User Instructions